

LINGUISTICS & PHILOSOPHY, B.A.

PREPARATION FOR THE MAJOR

COURSE

QUARTER COMPLETED

LINGUISTICS 20 | Introduction to Linguistic Analysis (5)

PHILOSOPHY 31 | Logic, First Course (4)

TWO COURSES FROM:

PHILOSOPHY 1 | Beginnings of Western Philosophy (5)

PHILOSOPHY 6 | Introduction to Political Philosophy (5)

PHILOSOPHY 7 | Introduction to Philosophy of Mind (5)

PHILOSOPHY 21 | Skepticism and Rationality (5)

SIXTH TERM OR EQUIVALENT OF ONE FOREIGN LANGUAGE (0-30)

THIRD TERM OR EQUIVALENT OF A SECOND FOREIGN LANGUAGE (0-15)

MAJOR REQUIREMENTS

COURSE

QUARTER COMPLETED

LINGUISTICS 102 | Applied Phonetics (5) or

LINGUISTICS 103 | Introduction to General Phonetics (5)

LINGUISTICS 119A | Phonological Structures (5) or

LINGUISTICS 120A | Phonology I (5)

LINGUISTICS 120B | Syntax I (5)

LINGUISTICS 120C | Semantics I (5)

ONE COURSE FROM:

LINGUISTICS 165B | Syntax II (5)

LINGUISTICS 165C | Semantics II (5)

LINGUISTICS 180 | Mathematical Structures in Language I (5)

ONE UPPER DIVISION ELECTIVE IN LINGUISTICS (5)

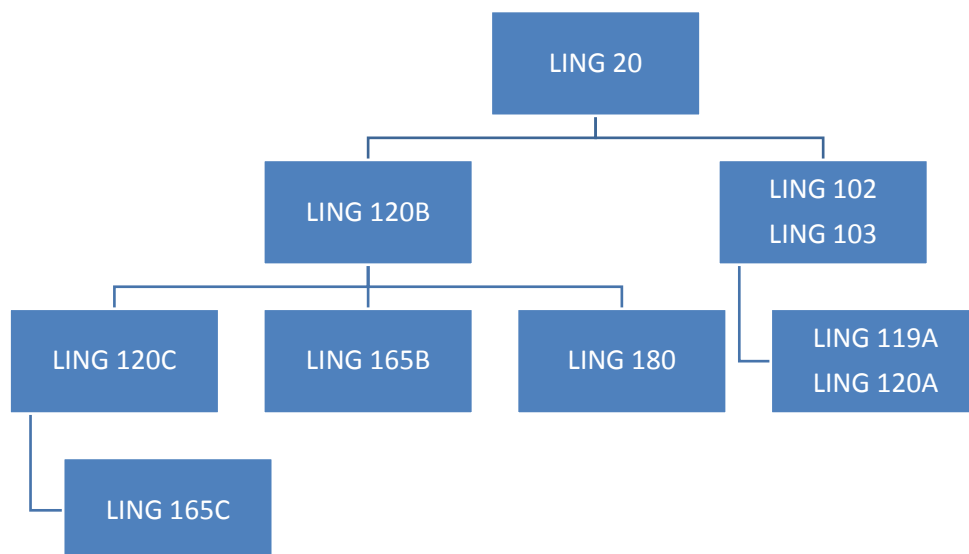
(NOTE: LING 102 is not open for credit to students with credit for course 103 and vice versa)

SIX UPPER DIVISION COURSES IN PHILOSOPHY (24)

At least **FIVE** from Philosophy 124 through 135, 170, 172, 174, 180, 181, 184.

At least **TWO** must be from 127A, 127B, 172.

PRE-REQUISITES



LING 20 MUST BE COMPLETED WITH A "B-" OR HIGHER TO ENROLL IN LING 103 AND 120B.

Please check the **UCLA General Catalog** (www.registrar.ucla.edu/catalog) for requisite information for electives. To view the quarterly **Schedule of Classes**, please visit www.registrar.ucla.edu/schedule.

HONORS PROGRAM IN LINGUISTICS

Departmental Honors is an excellent opportunity for those students who are considering graduate school, and is awarded upon graduation to students who maintain a GPA of 3.6 or higher in their junior and senior years, and who earn a grade of "A" in LING 198AB or 199. Courses 198AB and 199 provide opportunities to engage in independent research and write a paper that can be submitted to graduate admissions committees.

Qualified students may be nominated by a member of the faculty to the faculty at large for the award of Highest Honors on the basis of a piece of research in Linguistics completed at UCLA.

SPECIALIZATION IN COMPUTING

Students in the major may graduate with a **SPECIALIZATION IN COMPUTING** by:

- 1) Satisfying all the preparation for the major and major requirements; AND
- 2) Completing **PROGRAM IN COMPUTING 10ABC** or **COMPUTER SCIENCE 31 AND 32; MATH 61; LINGUISTICS 185A, and one course selected from 104, 127, 132, 165A, 165B, 165C, 180, 185B**. The two upper division linguistics courses **can** satisfy requirements for both the major and the Specialization in Computing.

Please see the Undergraduate Advisor in 3126C Campbell Hall for more information.

CONTACT INFORMATION

GENERAL QUESTIONS linguistics@humnet.ucla.edu | (310) 825-0634

ACADEMIC COUNSELING ALEJANDRA GARCIA, STUDENT AFFAIRS OFFICER | AGARCIA@HUMNET.UCLA.EDU

FACULTY ADVISOR JESSICA RETT, PROFESSOR | RETT@UCLA.EDU