

# LINGUISTICS & COMPUTER SCIENCE, B.A.

**PREPARATION FOR THE MAJOR**

COURSE

QUARTER COMPLETED

- LINGUISTICS 20 | Introduction to Linguistic Analysis (5) \_\_\_\_\_
- MATHEMATICS 31A | Differential & Integral Calculus (4) \_\_\_\_\_
- MATHEMATICS 31B | Integration & Infinite Series (4) \_\_\_\_\_
- MATHEMATICS 61 | Introduction to Discrete Structures (4) \_\_\_\_\_
- PHILOSOPHY 31 | Logic, First Course (4) \_\_\_\_\_
- COMPUTER SCIENCE 31 | Introduction to Computer Science I (4) \_\_\_\_\_
- COMPUTER SCIENCE 32 | Introduction to Computer Science II (4) \_\_\_\_\_
- COMPUTER SCIENCE 33 | Introduction to Computer Organization (5) \_\_\_\_\_
- COMPUTER SCIENCE 35L | Software Construction Lab (2) \_\_\_\_\_
- THIRD TERM OR EQUIVALENT OF ONE FOREIGN LANGUAGE** \_\_\_\_\_

**MAJOR REQUIREMENTS**

COURSE

QUARTER COMPLETED

- LINGUISTICS 102 | Applied Phonetics (5) *or*  
LINGUISTICS 103 | Introduction to General Phonetics (5) \_\_\_\_\_
- LINGUISTICS 119A | Phonological Structures (5) *or*  
LINGUISTICS 120A | Phonology I (5) \_\_\_\_\_
- LINGUISTICS 120B | Syntax I (5) \_\_\_\_\_
- LINGUISTICS 120C | Semantics I (5) \_\_\_\_\_
- ONE COURSE FROM:** \_\_\_\_\_
  - LINGUISTICS 104 | Experimental Phonetics (5)
  - LINGUISTICS 127 | Syntactic Typology and Universals (5)
  - LINGUISTICS 132 | Language Processing (5)
  - LINGUISTICS 165A | Phonology II (5)
  - LINGUISTICS 165B | Syntax II (5)
  - LINGUISTICS 165C | Semantics II (5)
  - LINGUISTICS 180 | Mathematical Structures in Language I (5)
  - LINGUISTICS 185B | Computational Linguistics II (5)
- LINGUISTICS 185A | Computational Linguistics I (5) \_\_\_\_\_
- ONE COURSE FROM:** \_\_\_\_\_
  - LINGUISTICS 165A | Phonology II (5)
  - LINGUISTICS 165B | Syntax II (5)
  - LINGUISTICS 165C | Semantics II (5)

**COMPUTER SCIENCE 131** | Programming Languages (4)

\_\_\_\_\_

**COMPUTER SCIENCE 180** | Introduction to Algorithms & Complexity (4)

\_\_\_\_\_

**COMPUTER SCIENCE 181** | Introduction to Formal Languages & Automata Theory (4)

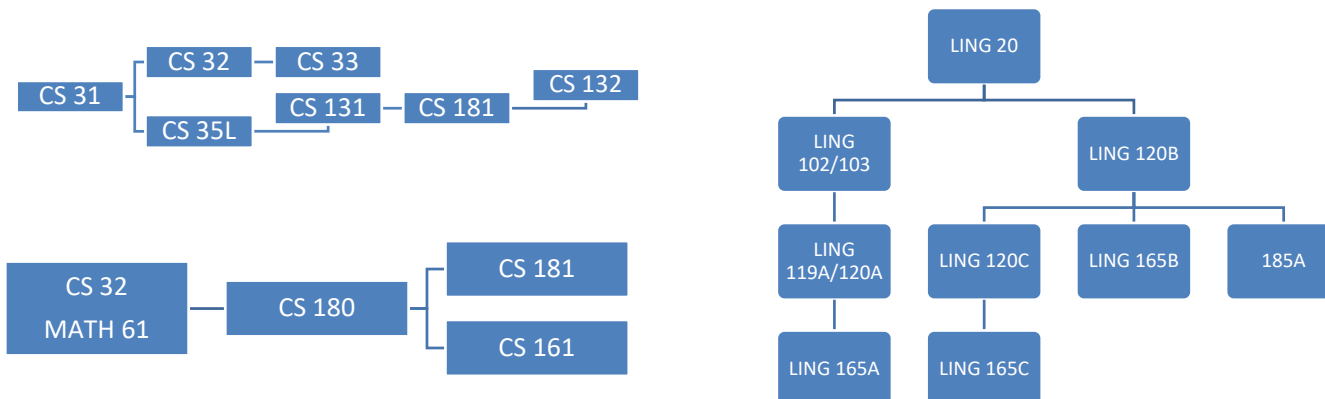
\_\_\_\_\_

**COMPUTER SCIENCE 132** | Compiler Construction (4) *or*

\_\_\_\_\_

**COMPUTER SCIENCE 161** | Fundamentals of Artificial Intelligence (4)

## PRE-REQUISITES



LING 20 MUST BE COMPLETED WITH A "B-" OR HIGHER TO ENROLL IN LING 103 AND 120B.

Please check the **UCLA General Catalog** ([www.registrar.ucla.edu/catalog](http://www.registrar.ucla.edu/catalog)) for additional requisite information.

To view the quarterly **Schedule of Classes**, please visit [www.registrar.ucla.edu/schedule](http://www.registrar.ucla.edu/schedule). Enrollment restrictions may apply to required coursework outside of the Linguistics subject area; students are therefore advised to consult the Class Notes before their priority or first pass enrollment appointments.

## HONORS PROGRAM IN LINGUISTICS

Departmental Honors is an excellent opportunity for those students who are considering graduate school, and is awarded upon graduation to students who maintain a GPA of 3.6 or higher in their junior and senior years, and who earn a grade of "A" in LING 198AB or 199. Courses 198AB and 199 provide opportunities to engage in independent research and write a paper that can be submitted to graduate admissions committees.

Qualified students may be nominated by a member of the faculty to the faculty at large for the award of Highest Honors on the basis of a piece of research in Linguistics completed at UCLA.

## CONTACT INFORMATION

GENERAL QUESTIONS [linguistics@humnet.ucla.edu](mailto:linguistics@humnet.ucla.edu) | (310) 825-0634

ACADEMIC COUNSELING JACQUELYN PEREZ, STUDENT AFFAIRS OFFICER | [JPerez@humnet.ucla.edu](mailto:JPerez@humnet.ucla.edu)

FACULTY ADVISOR JESSICA RETT, PROFESSOR | [rett@ucla.edu](mailto:rett@ucla.edu)