

# LINGUISTICS MINOR

COURSE

QUARTER COMPLETED

**LINGUISTICS 20** | Introduction to Linguistic Analysis (5)

\_\_\_\_\_

**LINGUISTICS 102** | Applied Phonetics (5) *or*

**LINGUISTICS 103** | Introduction to General Phonetics (5)

\_\_\_\_\_

**LINGUISTICS 119A** | Phonological Structures (5) *or*

**LINGUISTICS 120A** | Phonology I (5)

\_\_\_\_\_

**LINGUISTICS 119B** | Syntactic Structures (5) *or*

**LINGUISTICS 120B** | Syntax I (5)

\_\_\_\_\_

Students who plan to complete the 165 series courses as electives must take the corresponding 120 series courses as pre-requisites.

**TWO UPPER DIVISION ELECTIVES IN LINGUISTICS (10)**

\_\_\_\_\_

\_\_\_\_\_

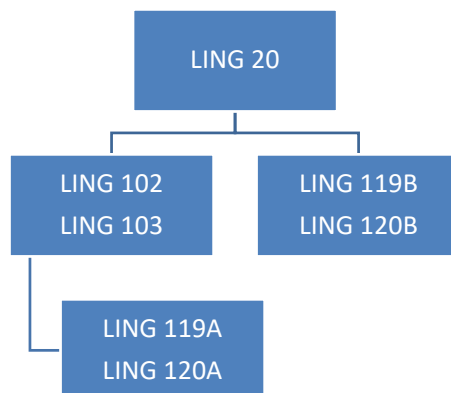
**ONE ADDITIONAL LOWER OR UPPER DIVISION ELECTIVE IN LINGUISTICS (5)**

\_\_\_\_\_

## DECLARING THE MINOR

Students in any major in the College of Letters & Science can declare the Linguistics minor. To enter the minor, students must have a minimum of 90 completed units, an overall grade-point average of 2.0 or better, and must complete LING 20 with a mandatory letter grade of “B-” or higher. Students can declare the Linguistics minor in consultation with the Undergraduate Advisor.

## PRE-REQUISITES



LING 20 MUST BE COMPLETED WITH A “B-” OR HIGHER TO ENROLL IN LING 102, 103, 119B, AND 120B.

Please check the **UCLA General Catalog** ([www.registrar.ucla.edu/catalog](http://www.registrar.ucla.edu/catalog)) for requisite information for electives.

To view the quarterly **Schedule of Classes**, please visit [www.registrar.ucla.edu/schedule](http://www.registrar.ucla.edu/schedule).

## CONTACT INFORMATION

GENERAL QUESTIONS [linguistics@humnet.ucla.edu](mailto:linguistics@humnet.ucla.edu) | (310) 825-0634

ACADEMIC COUNSELING JACQUELYN PEREZ, STUDENT AFFAIRS OFFICER | [JPerez@humnet.ucla.edu](mailto:JPerez@humnet.ucla.edu)

FACULTY ADVISOR SUN-AH JUN, PROFESSOR | [jun@humnet.ucla.edu](mailto:jun@humnet.ucla.edu)