

LINGUISTICS, B.A.

PREPARATION FOR THE MAJOR (17-63 UNITS)

COURSE

QUARTER COMPLETED

LINGUISTICS 20 | Introduction to Linguistic Analysis (5)

TWO COURSES FROM:

PHILOSOPHY 31 | Logic, First Course (4)

PSYCHOLOGY 10 | Introduction to Psychology (4)

or **PSYCHOLOGY 100A** | Psychological Statistics (4)

ONE CULTURAL ANTHROPOLOGY COURSE (4-5)

SIXTH TERM OR EQUIVALENT OF ONE FOREIGN LANGUAGE (0-30)

THIRD TERM OR EQUIVALENT OF A SECOND FOREIGN LANGUAGE (0-15)

Students are required to complete at least the 3rd term or equivalent in a **non-Slavic, non-Romance** or **non-Germanic** language. This requirement may be satisfied either as part of or in addition to the language requirement above.

MAJOR REQUIREMENTS (54-55 UPPER DIVISION UNITS)

COURSE

QUARTER COMPLETED

LINGUISTICS 103 | Introduction to General Phonetics (5)

LINGUISTICS 120A | Phonology I (5)

LINGUISTICS 120B | Syntax I (5)

TWO COURSES FROM:

LINGUISTICS 110 | Historical Linguistics (5)

LINGUISTICS 120C | Semantics I (5)

LINGUISTICS 130 | Language Development (5)

LINGUISTICS 132 | Language Processing (5)

TWO COURSES FROM:

LINGUISTICS 165A | Phonology II (5)

LINGUISTICS 165B | Syntax II (5)

LINGUISTICS 165C | Semantics II (5)

THREE UPPER DIVISION ELECTIVES IN LINGUISTICS (15)

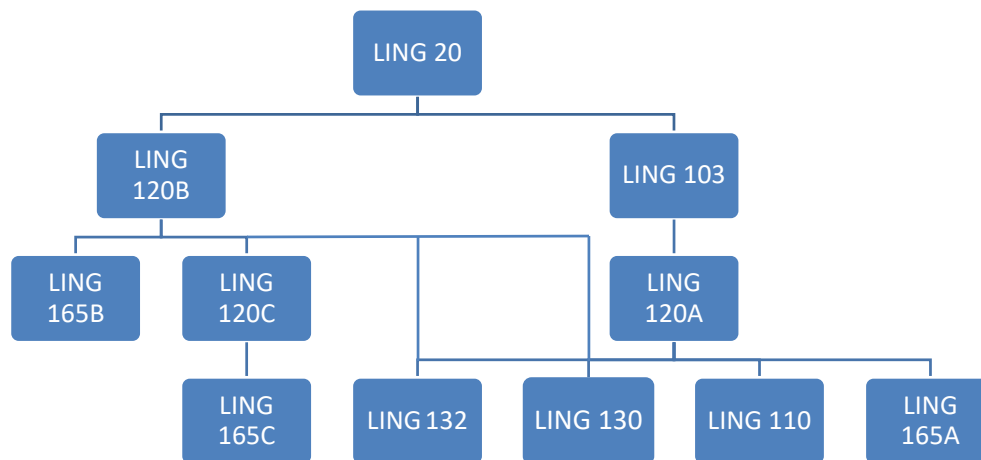
No more than one course from LING 197, 198A, and 199 may be applied towards the major.
(NOTE: LING 102 is not open for credit to students with credit for course 103)

ONE UPPER DIVISION ELECTIVE IN OR OUTSIDE OF LINGUISTICS (4-5) Outside course may be selected from: APPLING M262; CLASSIC 180; ENGL 121, 122; PHILOS 127AB, 172; PSYCH 120A, 127E, 133C; an upper division course in a foreign language beyond the 6th term. Non-Linguistics courses not on the list may be used as electives only in consultation with the Department of Linguistics' Undergraduate Advisor.

TOTAL UPPER DIVISION UNITS: 54-55 UNITS

OVERALL UNITS: 71-118 UNITS

PRE-REQUISITES



LING 20 MUST BE COMPLETED WITH A "B-" OR HIGHER TO ENROLL IN LING 103 AND 120B.

Please check the **UCLA General Catalog** (www.registrar.ucla.edu/catalog) for requisite information for electives.

To view the quarterly **Schedule of Classes**, please visit www.registrar.ucla.edu/schedule.

HONORS PROGRAM IN LINGUISTICS

Departmental Honors is an excellent opportunity for those students who are considering graduate school, and is awarded upon graduation to students who maintain a GPA of 3.6 or higher in their junior and senior years, and who earn a grade of "A" in LING 198AB or 199. Courses 198AB and 199 provide opportunities to engage in independent research and write a paper that can be submitted to graduate admissions committees.

Qualified students may be nominated by a member of the faculty to the faculty at large for the award of Highest Honors on the basis of a piece of research in Linguistics completed at UCLA.

SPECIALIZATION IN COMPUTING

Students in the major may graduate with a **SPECIALIZATION IN COMPUTING** by:

- 1) Satisfying all the preparation for the major and major requirements; AND
- 2) Completing **PROGRAM IN COMPUTING 10ABC** or **COMPUTER SCIENCE 31 AND 32**; **MATH 61**; **LINGUISTICS 185A**, and **one course selected from 104, 127, 132, 165A, 165B, 165C, 180, 185B**. The two upper division linguistics courses **can** satisfy requirements for both the major and the Specialization in Computing.

Please see the Undergraduate Advisor in 3126C Campbell Hall for more information.

CONTACT INFORMATION

GENERAL QUESTIONS linguistics@humnet.ucla.edu | (310) 825-0634

ACADEMIC COUNSELING JACQUELYN PEREZ, STUDENT AFFAIRS OFFICER | JPerez@humnet.ucla.edu

FACULTY ADVISOR SUN-AH JUN, PROFESSOR | jun@humnet.ucla.edu