

LINGUISTICS & COMPUTER SCIENCE, B.A.

C.I.P. Code: 30.2501 | Cognitive Science, General (STEM)

Effective Winter 2020

PREPARATION FOR THE MAJOR

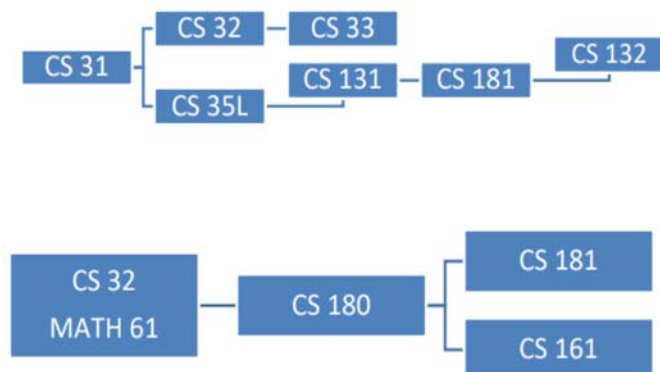
- 1) **LINGUISTICS 20** | Introduction to Linguistic Analysis (5 units)
- 2) **MATHEMATICS 31A** | Differential & Integral Calculus (4 units)
or **MATHEMATICS 31AL** | Differential & Integral Calculus Laboratory
- 3) **MATHEMATICS 31B** | Integration & Infinite Series (4 units)
- 4) **MATHEMATICS 61** | Introduction to Discrete Structures (4 units)
- 5) **MATHEMATICS 70** | Introduction to Probability (4 units)
- 6) **COMPUTER SCIENCE 31** | Introduction to Computer Science I (4 units)
- 7) **COMPUTER SCIENCE 32** | Introduction to Computer Science II (4 units)
- 8) **COMPUTER SCIENCE 33** | Introduction to Computer Organization (5 units)
- 9) **COMPUTER SCIENCE 35L** | Software Construction Lab (2 units)
- 10) **Third Term or Equivalent of a Foreign Language** (0-15 units)

MAJOR REQUIREMENTS (51 UPPER DIVISION UNITS)

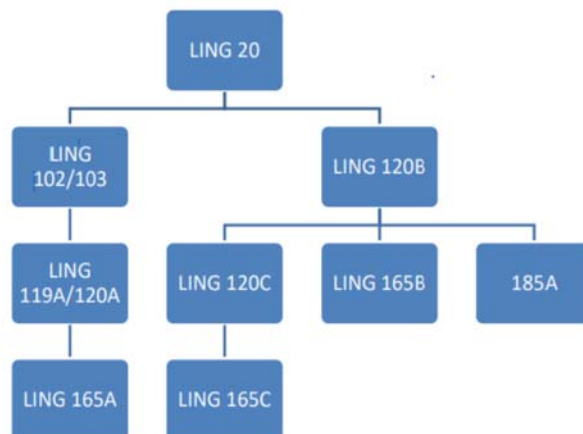
- 1) **LINGUISTICS 102** | Applied Phonetics (5 units) or **LINGUISTICS 103** | Intro to General Phonetics (5 units)
- 2) **LINGUISTICS 119A** | Applied Phonology (5 units) or **LINGUISTICS 120A** | Phonology I (5 units)
- 3) **LINGUISTICS 120B** | Syntax I (5 units)
- 4) **LINGUISTICS 120C** | Semantics I (5 units)
- 5) **One** Course From: **LINGUISTICS 104** | Experimental Phonetics (5 units)
LINGUISTICS 127 | Syntactic Typology & Universals (5 units)
LINGUISTICS 132 | Language Processing (5 units)
LINGUISTICS 165A | Phonology II (5 units)
LINGUISTICS 165B | Syntax II (5 units)
LINGUISTICS 165C | Semantics II (5 units)
LINGUISTICS 180 | Mathematical Structures in Language I (5 units)
LINGUISTICS 185B | Computational Linguistics II (5 units)
- 6) **LINGUISTICS 185A** | Computational Linguistics I (5 units)
- 7) **One** Course From: **LINGUISTICS 165A** | Phonology II (5 units)
LINGUISTICS 165B | Syntax II (5 units)
LINGUISTICS 165C | Semantics II (5 units)
- 8) **COMPUTER SCIENCE 131** | Programming Languages (4 units)
- 9) **COMPUTER SCIENCE 132** | Compiler Construction (4 units)
or **COMPUTER SCIENCE 161** | Fundamentals of Artificial Intelligence (4 units)
- 10) **COMPUTER SCIENCE 180** | Introduction to Algorithms & Complexity (4 units)
- 11) **COMPUTER SCIENCE 181** | Intro to Formal Language & Automata Theory (4 units)

COURSE PRE-REQUISITES

COMPUTER SCIENCE



LINGUISTICS



LING 20 MUST BE COMPLETED WITH A B- OR HIGHER TO ENROLL IN LING 103 AND 120B.

Please check the UCLA General Catalog (www.registrar.ucla.edu/catalog) for requisite information for electives.

To view the quarterly Schedule of Classes, please visit www.registrar.ucla.edu/schedule.

Enrollment restrictions may apply to required coursework outside of the Linguistic subject area; students are therefore advised to consult the Class Notes before their priority or first pass enrollment appointments.

HONORS PROGRAM IN LINGUISTICS

Departmental Honors is an excellent opportunity for those students who are considering graduate school, and is awarded upon graduation to students who maintain a GPA of 3.6 or higher in their junior and senior years, and who earn a grade of "A" in LING 198AB or 199. Courses 198AB and 199 provide opportunities to engage in independent research and write a paper that can be submitted to graduate admissions committees.

Qualified students may be nominated by a member of the faculty to the faculty at large for the award of Highest Honor on the basis of a piece of research in Linguistics completed at UCLA.

CONTACTS

GENERAL QUESTIONS | linguist@humnet.ucla.edu | 310-825-0634

ACADEMIC COUNSELING | Jacquelyn Perez, Student Affairs Officer | jperez@humnet.ucla.edu

DIRECTOR OF UNDERGRADUATE STUDIES | Sun-Ah Jun, Professor | jun@humnet.ucla.edu