

LINGUISTICS & ASIAN LANGUAGES AND CULTURES, B.A.

C.I.P. Code: 16.0199 | Linguistic, Comparative, & Related Language Studies & Services, Other
Effective Fall 2021

PREPERATION FOR THE MAJOR

- 1) **Elementary and Intermediate Levels (Six Terms) in either Chinese, Japanese, or Korean** (0-30 units)
- 2) **LINGUISTICS 20** | Introduction to Linguistic Analysis (5 units)
- 3) **One** Cultural Anthropology Course From:
ANTHRO 3, 4, 130, 131, 135, 133Q, 133R, 133S, 135C, 136A, 136B, 136Q, 137P, 138P, or 145S
- 4) **One** Course from your Appropriate Track:
CHINESE 50 | Chinese Civilization (5 units)
JAPANESE 50 | Japanese Civilization (5 units)
KOREAN 50 | Korean Civilization (5 units)
- 5) **Elementary Level (Three Terms) of a Second Foreign Language** (0-15 units)

MAJOR REQUIREMENTS

- 1) **LINGUISTICS 103** | Introduction to General Phonetics (5 units)
- 2) **LINGUISTICS 110** |
- 3) **LINGUISTICS 120A** | Phonology I (5 units)
- 4) **LINGUISTICS 120B** |
- 5) **LINGUISTICS 165A** |
or **LINGUISTICS 165B** |
- 6) **One** Upper Division Elective in Linguistics (4-5) units
Select any course from LING 100 to LING 199, **EXCEPT** LING 102, 119A, 189, 189HC, 192A, 192B, 197, and 198A/B
- 7) **Five** Upper Division Courses from your Appropriate Track:
CHINESE
JAPANESE
KOREAN
(See next page for the requirements for each track)

CHINESE TRACK

Three Upper Division Language Courses:

CHINESE 100A, CHINESE 100B, & CHINESE 100C | Advanced Modern Chinese (12)
or **CHINESE 100D, 100E & 100F** | Advanced Modern Chinese for Heritage Speakers (12)
or **CHINESE 100I** | Advanced Modern Chinese: Intensive (12)

Two Upper Division Courses From:

CHINESE 101A | Advanced Readings in Modern Chinese (4)
CHINESE 101B | Advanced Readings in Modern Chinese (4)
CHINESE 101C | Advanced Readings in Modern Chinese (4)
CHINESE 103 | Topics in Chinese Language and Culture (4)
CHINESE 110A | Introduction to Classical Chinese (4)
CHINESE 110B | Introduction to Classical Chinese (4)
CHINESE 110C | Introduction to Classical Chinese (4)
CHINESE C120 | Introduction to Chinese Linguistics (4)
CHINESE 130A | Readings in Modern Chinese Literature (4)
CHINESE 130B | Readings in Modern Chinese Literature (4)
CHINESE 165 | Introduction to Chinese Buddhist Texts (4)
ASIAN 104 | Asian Language Pedagogy (4)

JAPANESE TRACK

Three Upper Division Language Courses:

JAPANESE 100A, JAPANESE 100B, & JAPANESE 100C | Advanced Modern Japanese (12)
or **JAPANESE 100S** | Advanced Modern Japanese: Intensive (12)

Two Upper Division Courses From:

JAPANESE 101A | Kanji for Advanced Reading (4)
JAPANESE 101B | Fourth-Year Japanese: Advanced Reading I (4)
JAPANESE 101C | Fourth-Year Japanese: Advanced Reading II (4)
JAPANESE 110A | Introduction to Classical Japanese: Basic Grammar (4)
JAPANESE 110B | Introduction to Classical Japanese: Reading Proficiency (4)
JAPANESE M120 | Introduction to Japanese Linguistics (4)
JAPANESE CM123 | Structure of Japanese (4)
JAPANESE CM127 | Contrastive Analysis of Japanese & Korean (4)
JAPANESE 130A | Readings in Modern Japanese Literature (4)
JAPANESE 130B | Readings in Modern Japanese Literature (4)
ASIAN 104 | Asian Language Pedagogy (4)

KOREAN TRACK

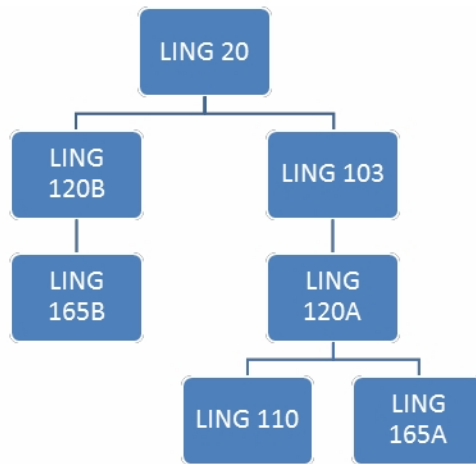
Three Upper Division Language Courses:

KOREAN 100A, KOREAN 100B, & KOREAN 100C | Advanced Modern Korean (12)

Two Upper Division Courses From:

KOREAN 101A | Advanced Readings in Modern Korean (4)
KOREAN 101B | Advanced Readings in Modern Korean (4)
KOREAN 101C | Advanced Readings in Modern Korean (4)
KOREAN 103A | Readings in Sino-Korean Characters (4)
KOREAN 103B | Readings in Sino-Korean Characters (4)
KOREAN 103C | Readings in Sino-Korean Characters (4)
KOREAN 105A | Reading Korean Academic Texts (4)
KOREAN 105B | Reading Korean Academic Texts (4)
KOREAN 105C | Reading Korean Academic Texts (4)
KOREAN CM120 | Structure of Korean (4)
KOREAN CM127 | Contrastive Analysis of Japanese & Korean (4)
ASIAN 104 | Asian Language Pedagogy (4)

COURSE PRE-REQUISITES



LING 20 MUST BE COMPLETED WITH A B- OR HIGHER TO ENROLL IN LING 103 AND 120B.

Check the UCLA General Catalog (www.registrar.ucla.edu/catalog) for requisite information for electives. To view the quarterly Schedule of Classes, please visit: www.registrar.ucla.edu/schedule.

HONORS PROGRAM IN LINGUISTICS

Departmental Honors is an excellent opportunity for those students who are considering graduate school, and is awarded upon graduation to students who maintain a GPA of 3.6 or higher in their junior and senior years, and who earn a grade of "A" in LING 198AB or 199. Courses 198AB and 199 provide opportunities to engage in independent research and write a paper that can be submitted to graduate admissions committees.

Qualified students may be nominated by a member of the faculty to the faculty at large for the award of Highest Honor on the basis of a piece of research in Linguistics completed at UCLA.

SPECIALIZATION IN COMPUTING

Students in the major may graduate with a Specialization in Computing by:

- 1) Satisfying all the preparation for the major and major requirements; AND
- 2) Completing **PROGRAM IN COMPUTING 100ABC** or **COMPUTER SCIENCE 31** and **32**; **MATH 61**; **LINGUISTICS 185A**, and one course selected from **104**, **127**, **132**, **165A**, **165B**, **180**, **185B**. The two upper division linguistics courses can satisfy requirements for both the major and the Specialization in Computing.

Please see the undergraduate Advisor in 3126C Campbell Hall for more information.

CONTACTS

GENERAL QUESTIONS | linguist@humnet.ucla.edu | 310-825-0634

ACADEMIC COUNSELING | LEIGH BAGOOD, STUDENT AFFAIRS OFFICER | leigh@humnet.ucla.edu

DIRECTOR OF UNDERGRAD STUDIES | Megha Sundara | megha.sundara@humnet.ucla.edu