

LINGUISTICS & PHILOSOPHY, B.A.

C.I.P. Code: 16.0199 | Linguistic, Comparative, & Related Language Studies & Services, Other
Effective Fall 2021

PREPARATION FOR THE MAJOR

LINGUISTICS 20 | Introduction to Linguistic Analysis (5) _____

PHILOSOPHY 31 | Logic, First Course (4) _____

TWO COURSES FROM:

PHILOSOPHY 7 | Introduction to Philosophy of Mind (5) _____

PHILOSOPHY 8 | Introduction to Philosophy of Science (5) _____

PHILOSOPHY 21 | Skepticism and Rationality (5) _____

PHILOSOPHY 23 | Meaning and Communication (5) _____

PHILOSOPHY M24 / LINGUISTICS M7 | Language and Identity (5) _____

ELEMENTARY AND INTERMEDIATE LEVELS (SIX TERMS) OF ONE FOREIGN LANGUAGE (0-30) _____

or

EQUIVALENT TO THE ELEMENTARY LEVEL (THREE TERMS) OF TWO FOREIGN LANGUAGES (0-30) _____

Students who complete an advanced upper-division language course are considered to have complete the equivalent of whatever course are requisite to that advanced language course (e.g., if students complete German 152, they have automatically satisfied the requirement of the sixth term of work in German).

MAJOR REQUIREMENTS (A 2.0 GPA in linguistics courses is required for the major.)

LINGUISTICS 102 | Applied Phonetics (5) _____

or **LINGUISTICS 103** | Introduction to General Phonetics (5) _____

LINGUISTICS 119A | Phonological Structures (5) _____

or **LINGUISTICS 120A** | Phonology I (5) _____

LINGUISTICS 120B | Syntax I (5) _____

LINGUISTICS 120C | Semantics I (5) _____

LINGUISTICS 165B | Syntax II (5) _____

or **LINGUISTICS 165C** | Semantics II (5) _____

or **LINGUISTICS 180** | Mathematical Structures in Language I (5) _____

ONE UPPER DIVISION ELECTIVE IN LINGUISTICS (5) _____

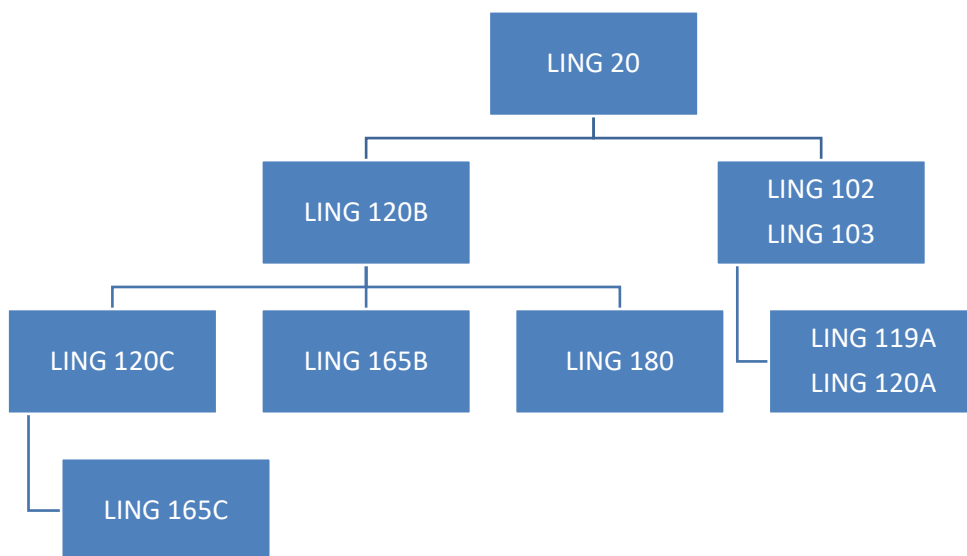
(NOTE: LING 102 is not open for credit to students with credit for course 103 and vice versa)

FIVE UPPER DIVISION COURSES IN PHILOSOPHY (20) _____

Must be from Philosophy 124 through 135, 170, 172, 174, 180, 181, 184.

At least **TWO** must be from C127A, C127B, 172. _____

PRE-REQUISITES



LING 20 MUST BE COMPLETED WITH A "B-" OR HIGHER TO ENROLL IN LING 103 AND 120B.

Please check the **UCLA General Catalog** (www.registrar.ucla.edu/catalog) for requisite information for electives. To view the quarterly **Schedule of Classes**, please visit www.registrar.ucla.edu/schedule.

HONORS PROGRAM IN LINGUISTICS

Departmental Honors is an excellent opportunity for those students who are considering graduate school, and is awarded upon graduation to students who maintain a GPA of 3.6 or higher in their junior and senior years, and who earn a grade of "A" in LING 198AB or 199. Courses 198AB and 199 provide opportunities to engage in independent research and write a paper that can be submitted to graduate admissions committees.

Qualified students may be nominated by a member of the faculty to the faculty at large for the award of Highest Honors on the basis of a piece of research in Linguistics completed at UCLA.

SPECIALIZATION IN COMPUTING

Students in the major may graduate with a **SPECIALIZATION IN COMPUTING** by:

- 1) Satisfying all the preparation for the major and major requirements; AND
- 2) Completing **PROGRAM IN COMPUTING 10ABC** or **COMPUTER SCIENCE 31 AND 32; MATH 61; LINGUISTICS 185A, and one course selected from 104, 127, 132, 165A, 165B, 165C, 180, 185B**. The two upper division linguistics courses **can** satisfy requirements for both the major and the Specialization in Computing.

Please see the Undergraduate Advisor in 3126C Campbell Hall for more information.

CONTACT INFORMATION

GENERAL QUESTIONS linguist@humnet.ucla.edu | (310) 825-0634

ACADEMIC COUNSELING LEIGH BAGOOD, STUDENT AFFAIRS OFFICER | leigh@humnet.ucla.edu

FACULTY ADVISOR KIE ZURAW, PROFESSOR | kie@ucla.edu