

LINGUISTICS, B.A.

C.I.P. Code: 30.2501 | Cognitive Science, General (STEM)
Effective Fall 2023

PREPARATION FOR THE MAJOR

LINGUISTICS 20 | Introduction to Linguistic Analysis (5)

Must be passed with a letter grade of C or better prior to beginning upper-division coursework in the major.

TWO COURSES FROM:

PHILOSOPHY 31 | Logic, First Course (4)

PSYCHOLOGY 10 | Introduction to Psychology (4)

or **PSYCHOLOGY 100A** | Psychological Statistics (4)

ANTHROPOLOGY 4 | Culture and Communication (5)

ELEMENTARY AND INTERMEDIATE LEVELS (SIX TERMS) OF ONE FOREIGN LANGUAGE (0-30)

or

EQUIVALENT TO THE ELEMENTARY LEVEL (THREE TERMS) OF TWO FOREIGN LANGUAGES (0-30)

Students who complete an advanced upper-division language course are considered to have complete the equivalent of whatever course are requisite to that advanced language course (e.g., if students complete German 152, they have automatically satisfied the requirement of the sixth term of work in German).

MAJOR REQUIREMENTS (A 2.0 GPA in linguistics courses is required for the major.)

LINGUISTICS 103 | Introduction to General Phonetics (5)

LINGUISTICS 120A | Phonology I (5)

LINGUISTICS 120B | Syntax I (5)

LINGUISTICS 120C | Semantics I (5)

TWO COURSES FROM:

LINGUISTICS 104 | Experimental Phonetics (5)

LINGUISTICS 110 | Historical Linguistics (5)

LINGUISTICS 130 | Language Development (5)

LINGUISTICS 132 | Language Processing (5)

TWO COURSES FROM:

LINGUISTICS 165A | Phonology II (5)

LINGUISTICS 165B | Syntax II (5)

LINGUISTICS 165C | Semantics II (5)

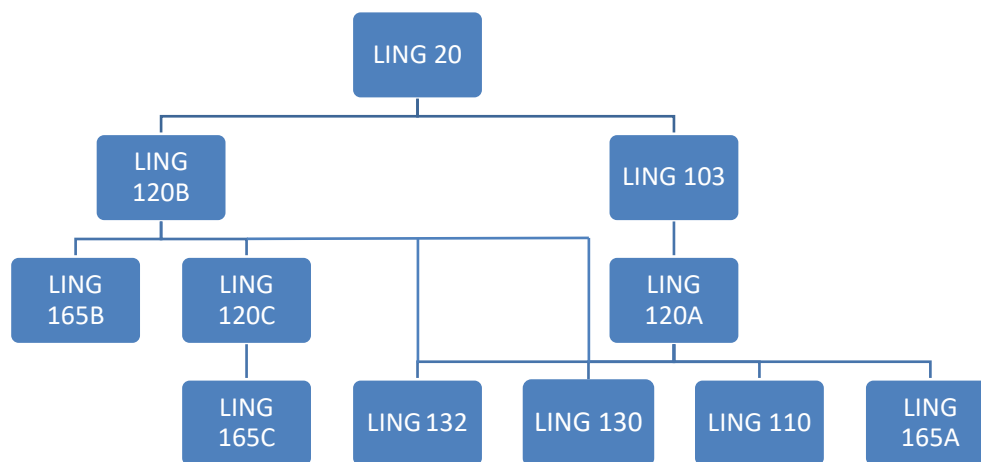
Students may substitute courses 200A, 200B, and 200C for 165A, 165B, and 165C respectively if they receive grades of A in 120A, 120B, and 120C respectively and have consent of instructor

THREE UPPER DIVISION ELECTIVES IN LINGUISTICS (15)

No more than one course from LING 197, 198AB, and 199 may be applied toward the major. One linguistics-related course offered by another department may be used as an elective with approval from the Department of Linguistics' Undergraduate Student Affairs Officer.

(NOTE: LING 102 is not open for credit to students with credit for course 103)

PRE-REQUISITES



LING 20 MUST BE PASSED WITH A LETTER GRADE OF "C" OR BETTER.

Please check the **UCLA General Catalog** (www.registrar.ucla.edu/catalog) for requisite information for electives.

To view the quarterly **Schedule of Classes**, please visit www.registrar.ucla.edu/schedule.

HONORS PROGRAM IN LINGUISTICS

Departmental Honors is an excellent opportunity for those students who are considering graduate school, and is awarded upon graduation to students who maintain a GPA of 3.6 or higher in their junior and senior years, and who earn a grade of "A" in LING 198AB or 199. Courses 198AB and 199 provide opportunities to engage in independent research and write a paper that can be submitted to graduate admissions committees.

Qualified students may be nominated by a member of the faculty to the faculty at large for the award of Highest Honors on the basis of a piece of research in Linguistics completed at UCLA.

SPECIALIZATION IN COMPUTING

Students in the major may graduate with a **SPECIALIZATION IN COMPUTING** by:

- 1) Satisfying all the preparation for the major and major requirements; AND
- 2) Completing **PROGRAM IN COMPUTING 10ABC** or **COMPUTER SCIENCE 31 AND 32**; **MATH 61**; **LINGUISTICS 185A**, and **one course selected from 104, 127, 132, 165A, 165B, 165C, 180, 185B**. The two upper division linguistics courses **can** satisfy requirements for both the major and the Specialization in Computing.

Please see the Undergraduate Advisor in 3126C Campbell Hall for more information.

CONTACT INFORMATION

GENERAL QUESTIONS linguist@humnet.ucla.edu | (310) 825-0634

ACADEMIC COUNSELING LEIGH BAGOOD, STUDENT AFFAIRS OFFICER | leigh@humnet.ucla.edu

FACULTY ADVISOR KIE ZURAW, PROFESSOR | kie@ucla.edu