

LINGUISTICS MINOR

C.I.P. Code: 16.0199 | Linguistic, Comparative, & Related Language Studies & Services, Other
Effective Fall 2023

COURSE

QUARTER COMPLETED

LINGUISTICS 20 | Introduction to Linguistic Analysis (5)

Must be passed with a letter grade of C or better prior to beginning upper-division coursework in the major.

LINGUISTICS 102 | Applied Phonetics (5)

or **LINGUISTICS 103** | Introduction to General Phonetics (5)

LINGUISTICS 119A | Phonological Structures (5)

or **LINGUISTICS 120A** | Phonology I (5)

LINGUISTICS 120B | Syntax I (5)

Students who plan to complete the 165 series courses as electives must take the corresponding 120 series courses as pre-requisites.

TWO UPPER DIVISION ELECTIVES FROM LINGUISTICS 104 THROUGH 185B (10)

ONE ADDITIONAL LOWER OR UPPER DIVISION ELECTIVE IN LINGUISTICS (5)

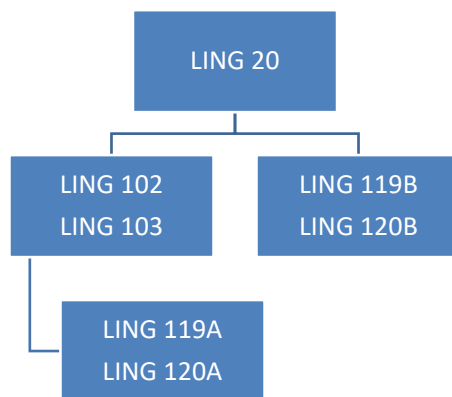
A minimum of 20 units applied toward the minor requirements must be in addition to units applied toward major requirements to another major.

Each minor course must be taken for a letter grade, and students must have an overall grade-point average for 2.0 or better in the minor. Successful completion of the minor is indicated on the transcript and diploma.

DECLARING THE MINOR

Students in any major in the College of Letters & Science can declare the Linguistics minor. To enter the minor, students must have a minimum of 90 completed units, an overall grade-point average of 2.0 or better, and must complete LING 20 with a mandatory letter grade of "C" or higher. Students can declare the Linguistics minor in consultation with the Undergraduate Advisor.

PRE-REQUISITES



LING 20 MUST BE PASSED WITH A LETTER GRADE OF "C" OR BETTER.

Please check the **UCLA General Catalog** (www.registrar.ucla.edu/catalog) for requisite information for electives. To view the quarterly **Schedule of Classes**, please visit www.registrar.ucla.edu/schedule.

CONTACT INFORMATION

GENERAL QUESTIONS linguist@humnet.ucla.edu | (310) 825-0634

ACADEMIC COUNSELING LEIGH BAGOOD, STUDENT AFFAIRS OFFICER | leigh@humnet.ucla.edu

FACULTY ADVISOR KIE ZURAW, PROFESSOR | kie@ucla.edu