

LINGUISTICS & ASIAN LANGUAGES AND CULTURES, B.A.

C.I.P. Code: 16.0199 | Linguistic, Comparative, & Related Language Studies & Services, Other
Effective Fall 2023

PREPARATION FOR THE MAJOR

ELEMENTARY AND INTERMEDIATE LEVELS (SIX TERMS) IN EITHER CHINESE, JAPANESE, OR KOREAN (0-30)

LINGUISTICS 20 | Introduction to Linguistic Analysis (5)

Must be passed with a letter grade of C or better prior to beginning upper-division coursework in the major. _____

ANTHROPOLOGY 4 | Culture and Communication (5) _____

One Course from your Appropriate Track:

CHINESE 50 | Chinese Civilization (5) _____

JAPANESE 50 | Japanese Civilization (5)

KOREAN 50 | Korean Civilization (5)

EQUIVALENT TO THE ELEMENTARY LEVEL (THREE TERMS) OF A 2ND FOREIGN LANGUAGE (0-15)

Students who complete an advanced upper-division language course are considered to have complete the equivalent of whatever course are requisite to that advanced language course (e.g., if students complete German 152, they have automatically satisfied the requirement of the sixth term of work in German). _____

MAJOR REQUIREMENTS (A 2.0 GPA in linguistics courses is required for the major.)

LINGUISTICS 103 | Introduction to General Phonetics (5) _____

LINGUISTICS 110 | Historical Linguistics (5) _____

LINGUISTICS 120A | Phonology I (5) _____

LINGUISTICS 120B | Syntax I (5) _____

LINGUISTICS 165A | Phonology II (5) _____

or **LINGUISTICS 165B** | Syntax II (5) _____

One Upper Division Elective in Linguistics (4-5)

Select any course from LING 100 to LING 199, **EXCEPT** 189, 189HC, 192A, 192B, 197, and 198A/B _____

Five Upper Division Courses from your Appropriate Track:

CHINESE

JAPANESE

KOREAN

(See next page for the requirements for each track)

CHINESE TRACK

Three Upper Division Language Courses:

CHINESE 100A, CHINESE 100B, & CHINESE 100C | Advanced Modern Chinese (12)
or **CHINESE 100D, 100E & 100F** | Advanced Modern Chinese for Heritage Speakers (12)
or **CHINESE 100I** | Advanced Modern Chinese: Intensive (12)

Two Upper Division Courses From:

CHINESE 101A | Advanced Readings in Modern Chinese (4) **CHINESE 101B** |
Advanced Readings in Modern Chinese (4) **CHINESE 101C** | Advanced
Readings in Modern Chinese (4) **CHINESE 103** | Topics in Chinese Language
and Culture (4)
CHINESE 110A | Introduction to Classical Chinese (4) **CHINESE 110B** |
Introduction to Classical Chinese (4)
CHINESE 110C | Introduction to Classical Chinese (4)
CHINESE C120 | Introduction to Chinese Linguistics (4)
CHINESE 130A | Readings in Modern Chinese Literature (4) **CHINESE 130B** |
Readings in Modern Chinese Literature (4)
CHINESE 165 | Introduction to Chinese Buddhist Texts (4)
ASIAN 104 | Asian Language Pedagogy (4)

JAPANESE TRACK

Three Upper Division Language Courses:

JAPANESE 100A, JAPANESE 100B, & JAPANESE 100C | Advanced Modern Japanese (12)
or **JAPANESE 100S** | Advanced Modern Japanese: Intensive (12)

Two Upper Division Courses From:

JAPANESE 101A | Kanji for Advanced Reading (4)
JAPANESE 101B | Fourth-Year Japanese: Advanced Reading I (4)
JAPANESE 101C | Fourth-Year Japanese: Advanced Reading II (4)
JAPANESE 110A | Introduction to Classical Japanese: Basic Grammar (4)
JAPANESE 110B | Introduction to Classical Japanese: Reading Proficiency (4)
JAPANESE M120 | Introduction to Japanese Linguistics (4)
JAPANESE CM123 | Structure of Japanese (4) **OR**
JAPANESE CM127 | Contrastive Analysis of Japanese & Korean (4)
JAPANESE 130A | Readings in Modern Japanese Literature (4)
JAPANESE 130B | Readings in Modern Japanese Literature (4)
ASIAN 104 | Asian Language Pedagogy (4)

KOREAN TRACK

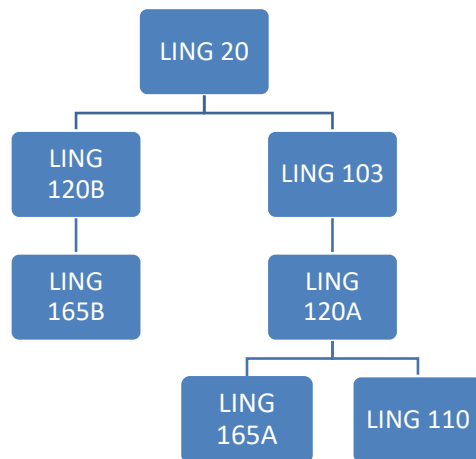
Three Upper Division Language Courses:

KOREAN 100A, KOREAN 100B, & KOREAN 100C | Advanced Modern Korean (12)

Two Upper Division Courses From:

KOREAN 101A | Advanced Readings in Modern Korean (4)
KOREAN 101B | Advanced Readings in Modern Korean (4)
KOREAN 101C | Advanced Readings in Modern Korean (4)
KOREAN 103A | Readings in Sino-Korean Characters (4)
KOREAN 103B | Readings in Sino-Korean Characters (4)
KOREAN 103C | Readings in Sino-Korean Characters (4)
KOREAN C105A | Reading Korean Academic Texts (4)
KOREAN C105B | Reading Korean Academic Texts (4)
KOREAN C105C | Reading Korean Academic Texts (4)
KOREAN CM120 | Structure of Korean (4)
KOREAN CM127 | Contrastive Analysis of Japanese & Korean (4)
ASIAN 104 | Asian Language Pedagogy (4)

PRE-REQUISITES



LING 20 MUST BE PASSED WITH A LETTER GRADE OF "C" OR BETTER.

Please check the **UCLA General Catalog** (www.registrar.ucla.edu/catalog) for requisite information for electives. To view the quarterly **Schedule of Classes**, please visit www.registrar.ucla.edu/schedule.

HONORS PROGRAM IN LINGUISTICS

Departmental Honors is an excellent opportunity for those students who are considering graduate school, and is awarded upon graduation to students who maintain a GPA of 3.6 or higher in their junior and senior years, and who earn a grade of "A" in LING 198AB or 199. Courses 198AB and 199 provide opportunities to engage in independent research and write a paper that can be submitted to graduate admissions committees.

Qualified students may be nominated by a member of the faculty to the faculty at large for the award of Highest Honors on the basis of a piece of research in Linguistics completed at UCLA.

SPECIALIZATION IN COMPUTING

Students in the major may graduate with a **SPECIALIZATION IN COMPUTING** by:

- 1) Satisfying all the preparation for the major and major requirements; AND
- 2) Completing **PROGRAM IN COMPUTING 10ABC** or **COMPUTER SCIENCE 31 AND 32**; **MATH 61**; **LINGUISTICS 185A**, and **one course selected from 104, 127, 132, 165A, 165B, 165C, 180, 185B**. The two upper division linguistics courses **can** satisfy requirements for both the major and the Specialization in Computing.

Please see the Undergraduate Advisor in 3126C Campbell Hall for more information.

CONTACT INFORMATION

GENERAL QUESTIONS lingundergrad@humnet.ucla.edu | (310) 825-0634

ACADEMIC COUNSELING ALLIE WESTRUP, STUDENT AFFAIRS OFFICER | allie@humnet.ucla.edu

FACULTY ADVISOR KIE ZURAW, PROFESSOR | kie@ucla.edu