

LINGUISTICS & COMPUTER SCIENCE, B.A.

C.I.P. Code: 30.2501 | Cognitive Science, General (STEM)

Effective Fall 2023

PREPARATION FOR THE MAJOR

LINGUISTICS 20 | Introduction to Linguistic Analysis (5)

Must be passed with a letter grade of C or better prior to beginning upper-division coursework in the major.

MATHEMATICS 31A | Differential & Integral Calculus (4)

or **MATHEMATICS 31AL** | Differential & Integral Calculus Laboratory (4)

MATHEMATICS 31B | Integration & Infinite Series (4 units)

MATHEMATICS 61 | Introduction to Discrete Structures (4 units)

MATHEMATICS 70 | Introduction to Probability (4 units)

COMPUTER SCIENCE 31 | Introduction to Computer Science I (4 units)

COMPUTER SCIENCE 32 | Introduction to Computer Science II (4 units)

COMPUTER SCIENCE 33 | Introduction to Computer Organization (5 units)

COMPUTER SCIENCE 35L | Software Construction Lab (2 units)

EQUIVALENT TO THE ELEMENTARY LEVEL (THREE TERMS) OF A FOREIGN LANGUAGE (0-15)

Students who complete an advanced upper-division language course are considered to have complete the equivalent of whatever course are requisite to that advanced language course (e.g., if students complete German 152, they have automatically satisfied the requirement of the sixth term of work in German).

MAJOR REQUIREMENTS (A 2.0 GPA in linguistics courses is required for the major.)

LINGUISTICS 102 | Applied Phonetics (5)

or **LINGUISTICS 103** | Introduction to General Phonetics (5)

LINGUISTICS 119A | Phonological Structures (5)

or **LINGUISTICS 120A** | Phonology I (5)

LINGUISTICS 120B | Syntax I (5)

LINGUISTICS 120C | Semantics I (5)

ONE COURSE FROM:

LINGUISTICS 104 | Experimental Phonetics (5)

LINGUISTICS 127 | Syntactic Typology & Universals (5)

LINGUISTICS 132 | Language Processing (5)

LINGUISTICS 165A | Phonology II (5)

LINGUISTICS 165B | Syntax II (5)

LINGUISTICS 165C | Semantics II (5)

LINGUISTICS 180 | Mathematical Structures in Language I (5)

LINGUISTICS 185B | Computational Linguistics II (5)

LINGUISTICS 185A | Computational Linguistics I (5)

ONE COURSE FROM:

LINGUISTICS 165A | Phonology II (5)

LINGUISTICS 165B | Syntax II (5)

LINGUISTICS 165C | Semantics II (5)

COMPUTER SCIENCE 131 | Programming Languages (4)

COMPUTER SCIENCE 132 | Compiler Construction (4)

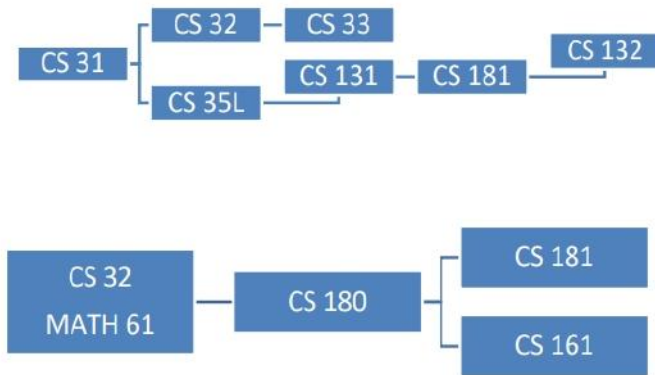
or **COMPUTER SCIENCE 161** | Fundamentals of Artificial Intelligence (4)

COMPUTER SCIENCE 180 | Introduction to Algorithms & Complexity (4)

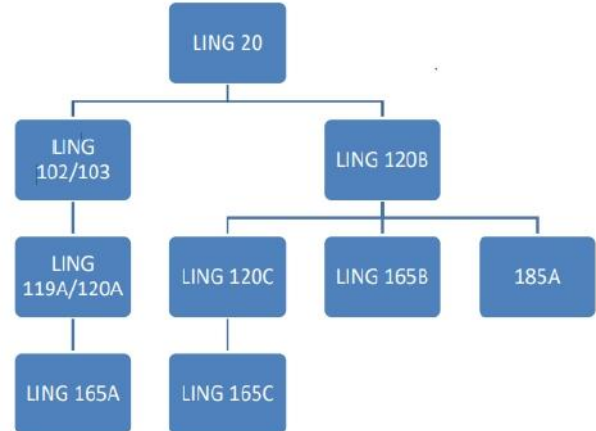
COMPUTER SCIENCE 181 | Intro to Formal Language & Automata Theory (4)

PRE-REQUISITES

COMPUTER SCIENCE



LINGUISTICS



LING 20 MUST BE PASSED WITH A LETTER GRADE OF "C" OR BETTER.

Please check the **UCLA General Catalog** (www.registrar.ucla.edu/catalog) for requisite information for electives. To view the quarterly **Schedule of Classes**, please visit www.registrar.ucla.edu/schedule.

HONORS PROGRAM IN LINGUISTICS

Departmental Honors is an excellent opportunity for those students who are considering graduate school, and is awarded upon graduation to students who maintain a GPA of 3.6 or higher in their junior and senior years, and who earn a grade of "A" in LING 198AB or 199. Courses 198AB and 199 provide opportunities to engage in independent research and write a paper that can be submitted to graduate admissions committees.

Qualified students may be nominated by a member of the faculty to the faculty at large for the award of Highest Honors on the basis of a piece of research in Linguistics completed at UCLA.

CONTACT INFORMATION

GENERAL QUESTIONS lingundergrad@humnet.ucla.edu | (310) 825-0634

ACADEMIC COUNSELING ALLIE WESTRUP, STUDENT AFFAIRS OFFICER | allie@humnet.ucla.edu

FACULTY ADVISOR KIE ZURAW, PROFESSOR | kie@ucla.edu