

## LINGUISTICS MINOR

**C.I.P. Code:** 16.0199 | Linguistic, Comparative, & Related Language Studies & Services, Other  
*Effective Spring 2026*

COURSE

QUARTER COMPLETED

**LINGUISTICS 20** | Introduction to Linguistic Analysis (5)

Must be passed with a letter grade of C or better prior to beginning upper-division coursework in the major.

\_\_\_\_\_

**LINGUISTICS 102** | Applied Phonetics (5)

*or* **LINGUISTICS 103** | Introduction to General Phonetics (5)

\_\_\_\_\_

**LINGUISTICS 119A** | Phonological Structures (5)

*or* **LINGUISTICS 120A** | Phonology I (5)

\_\_\_\_\_

**LINGUISTICS 120B** | Syntax I (5)

\_\_\_\_\_

**TWO UPPER DIVISION ELECTIVES FROM LINGUISTICS 104 THROUGH 185B (8-10)**

ASL 131 Structure of ASL allowed.

\_\_\_\_\_

\_\_\_\_\_

**ONE ADDITIONAL LOWER OR UPPER DIVISION ELECTIVE IN LINGUISTICS (4-5)**

A minimum of 20 units applied toward the minor requirements must be in addition to units applied toward major requirements to another major.

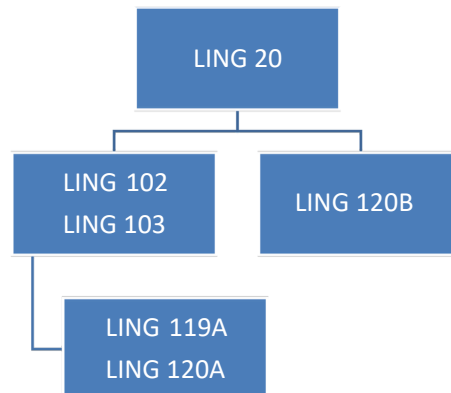
\_\_\_\_\_

Each minor course must be taken for a letter grade, and students must have an overall grade-point average of 2.0 or better in the minor. Successful completion of the minor is indicated on the transcript and diploma.



Students in any major in the College of Letters & Science can declare the Linguistics minor. To enter the minor, students must have a minimum of 90 completed units, an overall grade-point average of 2.0 or better, and must complete LING 20 with a mandatory letter grade of "C" or higher. Students can declare the Linguistics minor in consultation with the Undergraduate Advisor.

## PRE-REQUISITES



**LING 20 MUST BE PASSED WITH A LETTER GRADE OF "C" OR BETTER.**

Please check the **UCLA General Catalog** ([www.registrar.ucla.edu/catalog](http://www.registrar.ucla.edu/catalog)) for requisite information for electives. To view the quarterly **Schedule of Classes**, please visit [www.registrar.ucla.edu/schedule](http://www.registrar.ucla.edu/schedule).

## CONTACT INFORMATION

GENERAL QUESTIONS      [lingundergrad@humnet.ucla.edu](mailto:lingundergrad@humnet.ucla.edu) | (310) 825-0634

ACADEMIC COUNSELING      ALLIE WESTRUP, STUDENT AFFAIRS OFFICER | [allie@humnet.ucla.edu](mailto:allie@humnet.ucla.edu)

FACULTY ADVISOR      JESSE HARRIS, PROFESSOR | [jharris@humnet.ucla.edu](mailto:jharris@humnet.ucla.edu)